



ALACRON

FastCVBS PMC Mezzanine Board

One of Alacron's most recent additions to its FastSeries family, based on Philips' TriMedia processor, is FastCVBS, a PMC daughter-card that lets you add multiple input video capture to your FastImage 1303 or FastFrame 1303 PCI board.



The Future of
Image Acquisition
and Processing

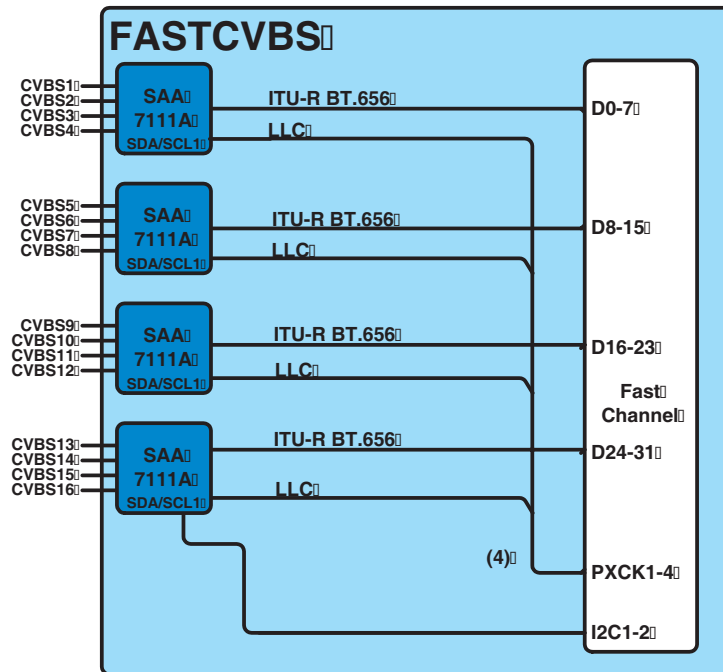
FastCVBS PMC Mezzanine Key Features:

- Four CVBS input channels
- Four analog inputs per channel with internal analog selectors (e.g. 4X CVBS or 2XY/C or (1XY/C and 2X CVBS))
- 32-bit side-band to FastSeries crossbar in P4 connector
- PMC form factor
- Fast channel





FastCVBS PMC Mezzanine Board



SPECIFICATIONS

NTSC/PAL COMP. VIDEO CAP.(4 channels)

- Input levels 1V peak-to-peak nom., 0.3 to 1.2V peak-to-peak max.
- Input impedance – 75Ω
- Resolution - 8 bits
- Formats supported - PAL BGHI, PAL N, PAL M, NTSC M, NTSC N, NTSC 4.43, NTSC-Japan, SECAM

FAST CHANNEL

- 80 MHz 32 bit persistent channels in 4 bit increments for intra- and interboard communication
- Point to point connections at up to 320 MB/s via cross bar interconnect
- Data traffic does not affect host CPU or PCI bus

